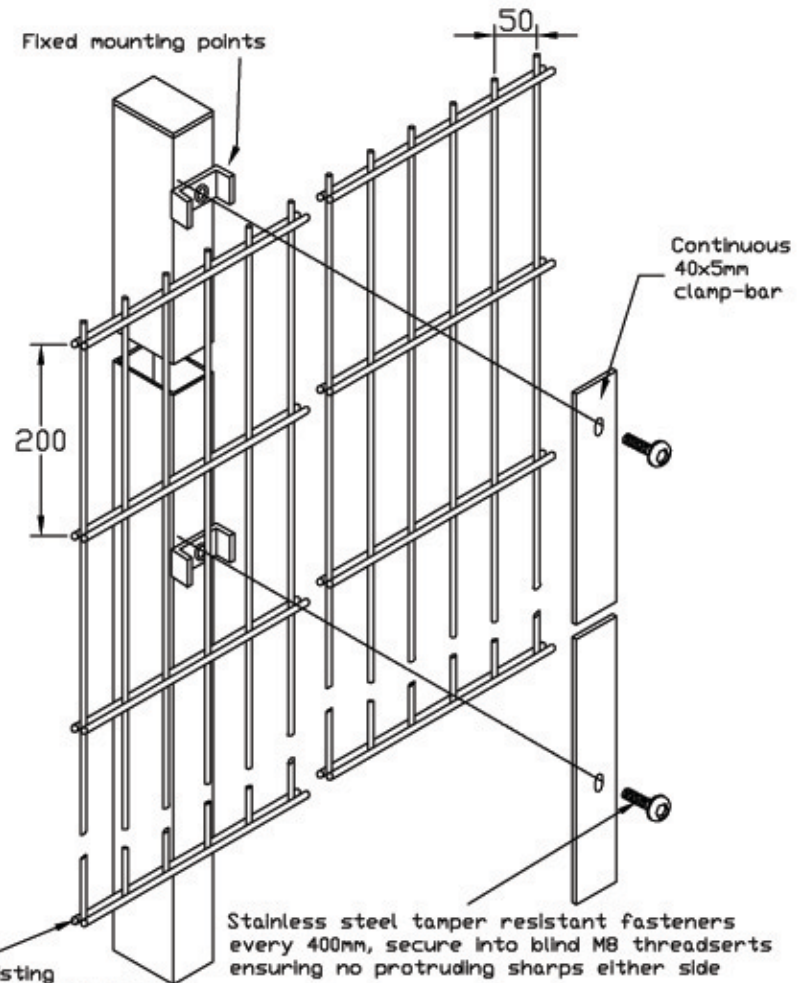
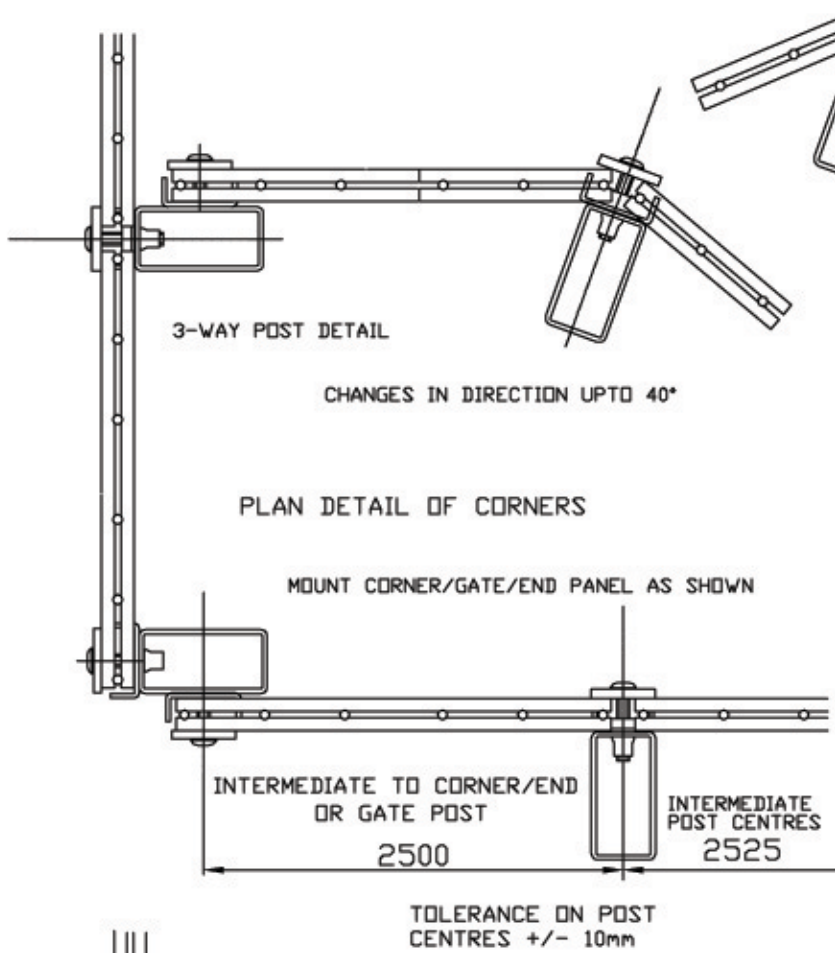
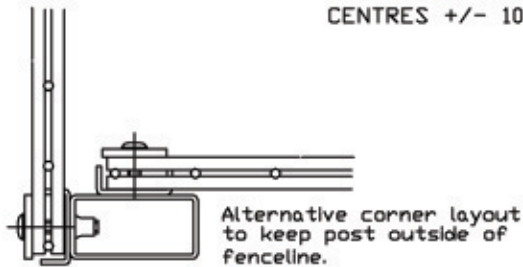



DUO PERIMETER

use square washers (in lieu of clamp-bars) for acute angles



Each horizontal row consisting of two 8mm (Duo8) or 6mm (Duo6) wires, resistance welded at every intersection to 6mm verticals



Customer www.zaun.co.uk		Drawing No.	
Project / Site Duo Perimeter Fencing		Revision : ORG	
	Zaun Limited Steel Drive Wolverhampton WV10 9ED	Date 9/6/04	Drawn By PP
	Tel : 01902 796 699 Fax : 01902 796 698	Finish	